

## UNISEX STRAIGHT WORK PANTS

FRONT



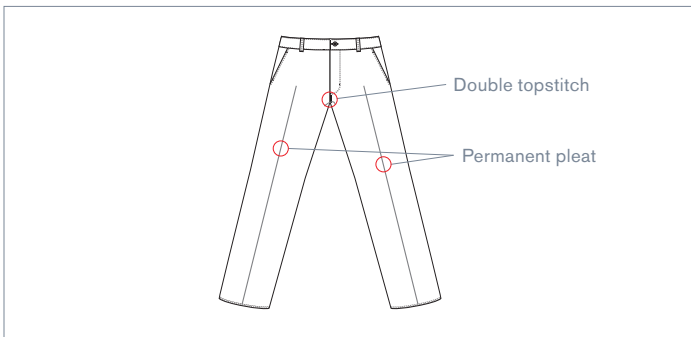
BACK



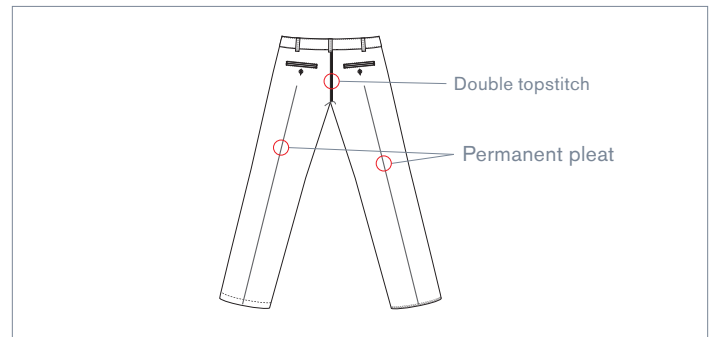
SIDE



FRONT



BACK



### DETAILS

These flat pants are ideal on any work day. Not only are chinos elegant but they are also timeless. Their well-designed cut will make you look very fancy. Permanent pleats at the front and at the back give them a chic and refined look. Match them with a classic shirt or a simple polo shirt, and wear them at work or after work. Choose this piece for its lightness, flexibility and comfort!

\*This design is also available in polyester (TRM12-8022).

### FEATURES

- Resistant to abrasion and tearing
- Good colour retention thanks to its polyester and cotton mix
- Permanent pleat at the front and at the back
- 2 front cut pockets
- 2 back welt pockets with button
- Teflon® coating: no water nor oil absorption
- YKK® zipper

### FABRIC

65 % polyester, 35 % cotton

### AVAILABLE SIZES

26, 28, 30, 32, 34, 36, 38, 40, 42, 44, 46, 48, 50, 52, 54

### AVAILABLE COLOURS



Tan



Black



Dark navy



ABRAISON RESISTANT



WATER RESISTANT



YKK®