

WOMEN STRAIGHT WORK PANTS

FRONT



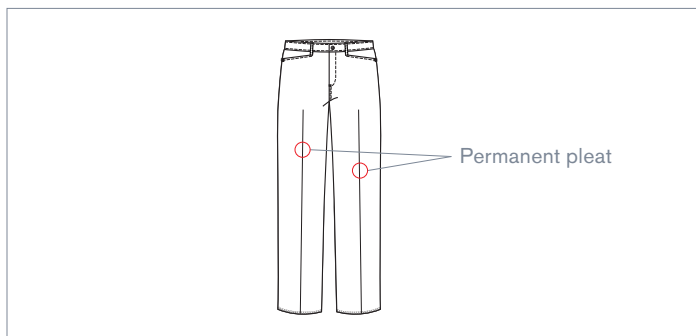
BACK



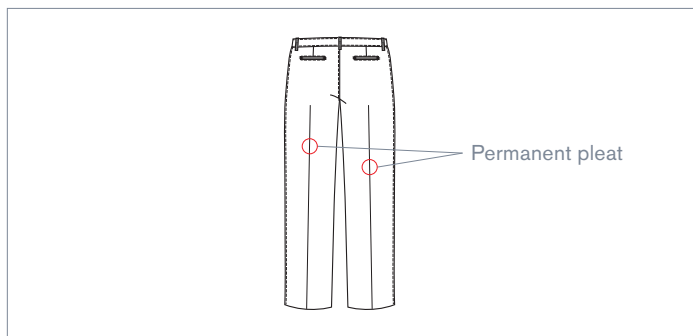
SIDE



FRONT



BACK



DETAILS

These flat pants are ideal on any work day. Not only are chinos elegant but they are also timeless. Their well-designed cut will make you look very fancy. Permanent pleats at the front and at the back give them a chic and refined look. Match them with a classic shirt or a simple polo shirt, and wear them at work or after work. Choose this piece for its lightness, flexibility and comfort!

FEATURES

- Resistant to abrasion and tearing
- Good colour retention thanks to its polyester and cotton mix
- Permanent pleat at the front and at the back
- 2 front cut pockets
- 2 back welt pockets with button
- Teflon® coating: no water nor oil absorption

FABRIC

65 % polyester, 35 % cotton

AVAILABLE SIZES

0, 2, 4, 6, 8, 10, 12, 14, 16, 18, 20, 22, 24

AVAILABLE COLOURS



Dark navy



Black