

FRONT



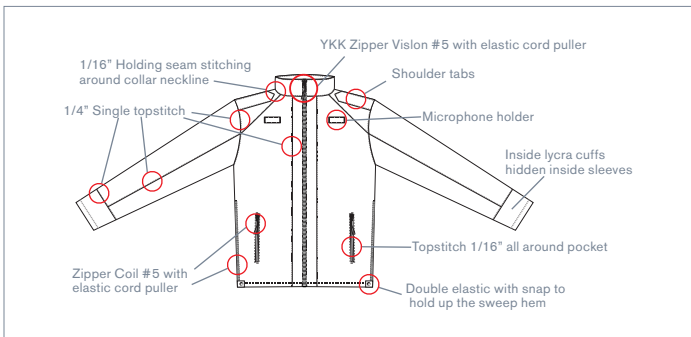
BACK



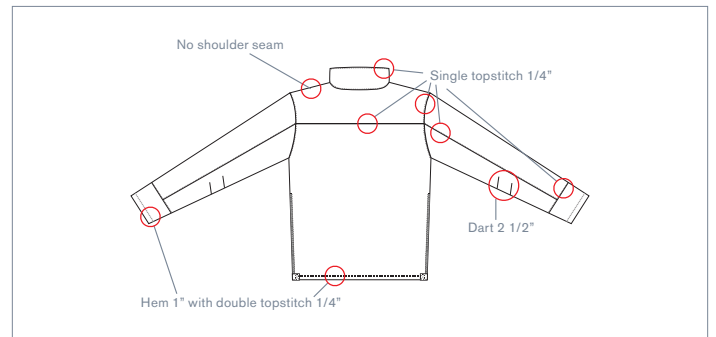
SIDE



BACK



INSIDE



## DETAILS

We named this coat "Courage" since it has been designed for law enforcement and security officers. Thanks to its zippers at each side, your weapon will always be easily to reach. Waterproof yet breathable, it will keep you dry whatever the season and will be your ally throughout the year. Its strategic openings under the armpits provide ideal ventilation in case of high temperature, for an optimal evacuation of the body moisture.

## FEATURES

- Laminated with membrane
- Waterproof side zipper vents for easy gun access
- 3M reflective tape and ID (optional)
- Microphone attachment in front

## FABRIC

- 94% polyester - 6% spandex
- 380 gsm
- Breathability: 4000gsm
- Waterproof: 8000mm

## AVAILABLE SIZES

S, M, L, XL, 2XL, 3XL, 4XL

## AVAILABLE COLOURS



Black