

FRONT



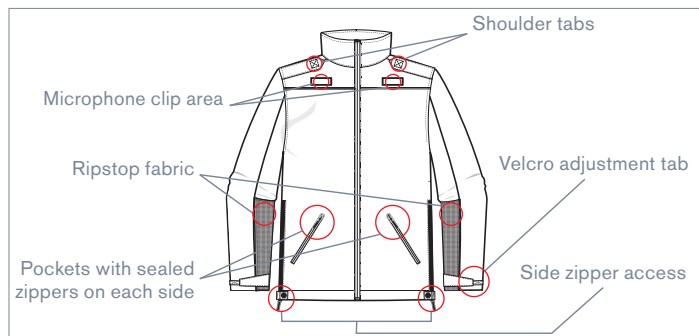
BACK



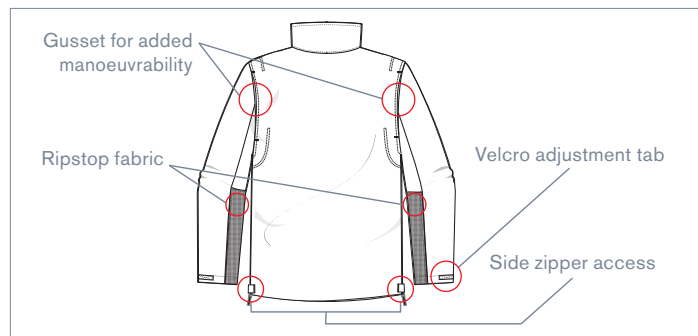
SIDE



FRONT



BACK



DETAILS

Discover our tactical soft shell jacket, specially designed for security professionals. Featuring sealed side zippers for easy access to pockets or utility belt, two microphone clips, two roomy front pockets, ripstop fabric on the inner forearm for added durability, and gussets on back shoulder for optimal mobility, this jacket combines style and cutting-edge functionality. Be prepared to face any situation with style and confidence. The future of security starts here.

FEATURES

- Water resistant
- Abrasion-resistant inner forearm
- Ripstop fabric on forearms
- Adjustable cuffs with Velcro
- Sealed side zippers
- Two clip ons for microphone
- Shoulder bellows

FABRIC

- 94% Polyester
- 6% Spandex

AVAILABLE SIZES

REGULAR: XS, S, M, L, XL, 2XL, 3XL, 4XL

TALL: XS, S, M, L, XL, 2XL, 3XL, 4XL

AVAILABLE COLOURS



Blue Black



WATER RESISTANT



ABRAISON RESISTANT