

**FRONT**



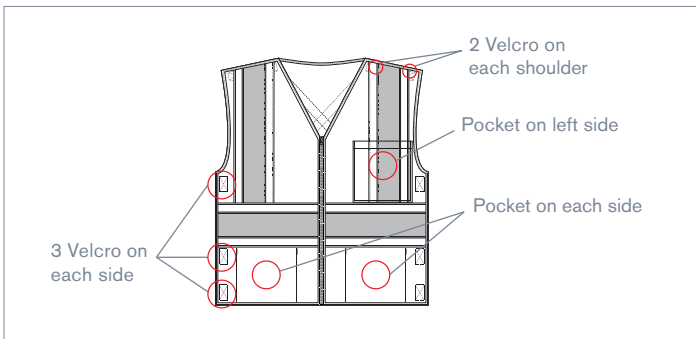
**BACK**



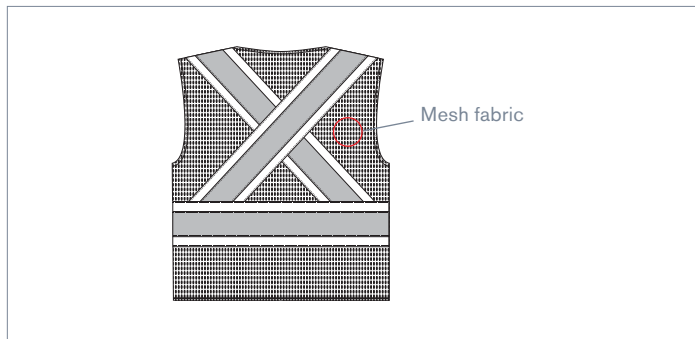
**SIDE**



**FRONT**



**BACK**



**DETAILS**

Since every worker needs to be completely visible at all times, we have re-imagined the safety jacket. Complying with the CAN / CSA Z96 standards, it is made of two materials, the back of which is made of mesh so that the worker in movement feels more comfortable with a breathable garment. The concept is to have the safest possible ideal jacket thanks to its Velcro positioned on the shoulders and sides allowing immediate release of the worker in case of restraint.

## FEATURES

- Clothing complying with the CAN/CSA Z96 standard, Class 2 Level 2 :
  - Minimum luminance of 0.76
  - Reflective strips: vertical, horizontal and "X"
- Two-piece jacket with plain knit front and mesh back
- Pocket on left side
- 2 pockets applied on sides
- Velcro at the shoulders and sides

## FABRIC

- Front: plain knit 100% polyester
- Back : Mesh 100 % polyester

## AVAILABLE SIZES

S/M, L/XL, 2XL/3XL

## AVAILABLE COLOURS



Yellow



REFLECTIVE STRIPES